

Poulan®

[Back to INDEX](#)

WEED EATER®

SERVICE UPDATE

Poulan PRO®

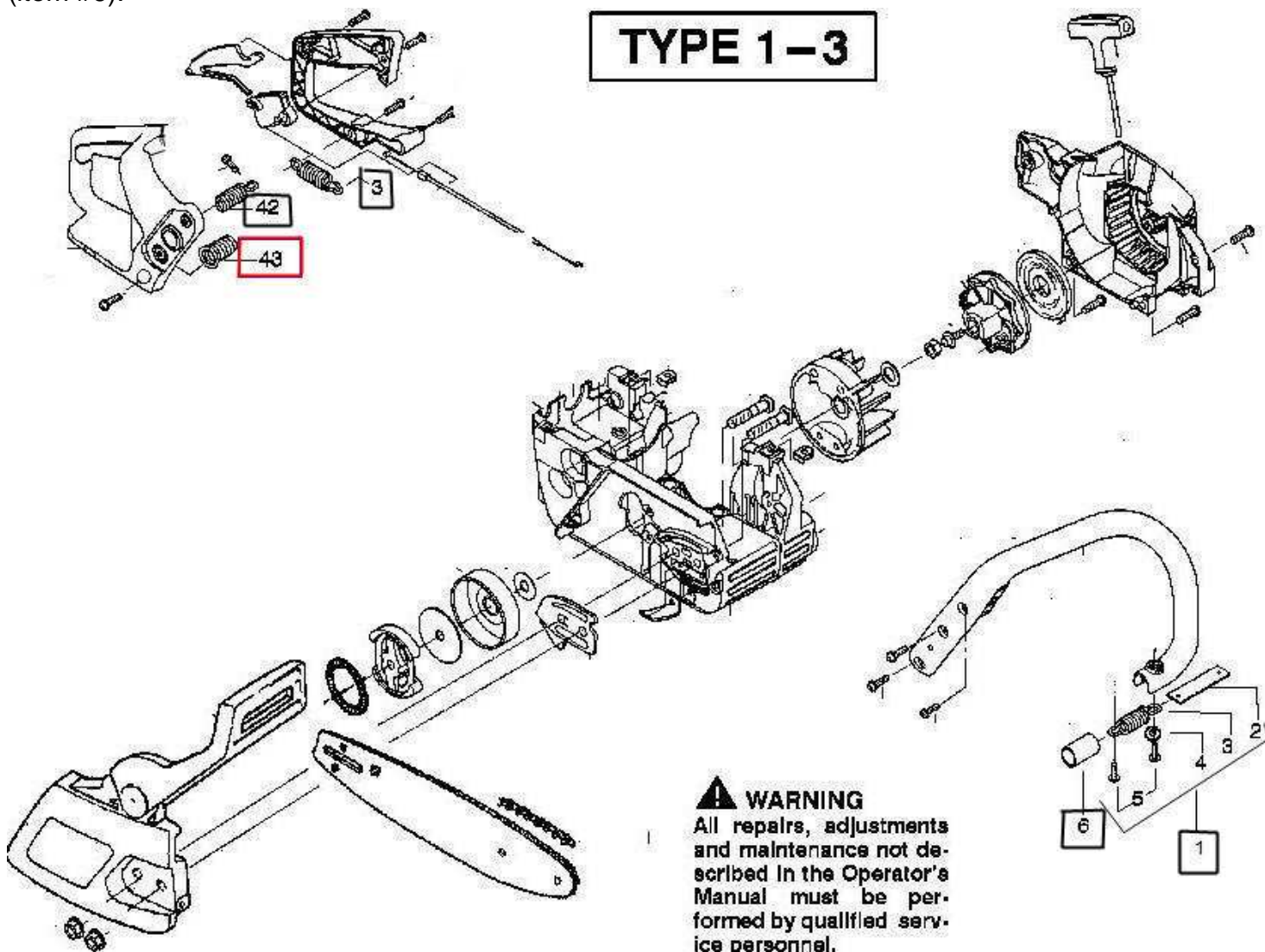
To: All Service Facilities and Distributors

Subject: Isolator Spring #530-053274

Mar. 30/2007

Models Affected: Poulan 2250, 2450, 2550 /Poulan Pro 220, 221, 260

Part # 530-053274 (item #43, below) has been subbed to Isolator Spring kit #545-006036 which consists of three new isolator springs (item#1, 3 and 42) in which spring # 43 is not used. These three springs are of higher tensile strength than the originals and offer better operator vibration protection than the original design with the four isolator springs. Make sure that you reuse the anti pinch cover (item #6).



WARNING
All repairs, adjustments and maintenance not described in the Operator's Manual must be performed by qualified service personnel.

[Back to INDEX](#)